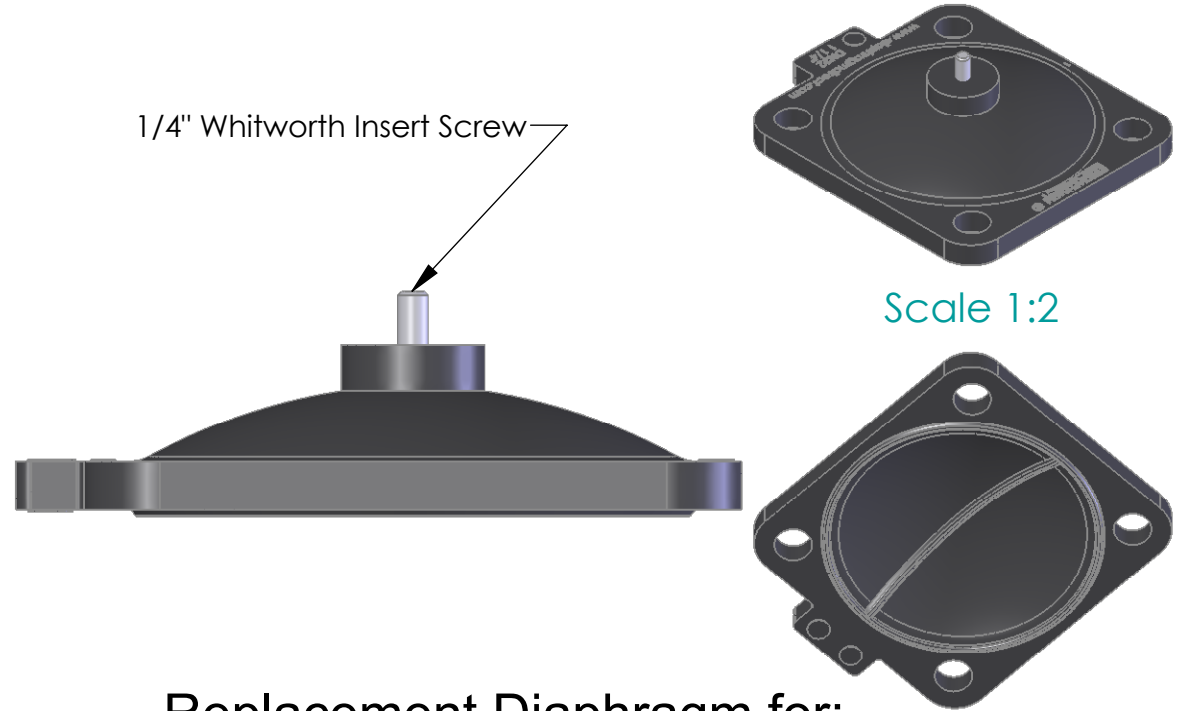


Revision History			
Rev	Description	Date	Approved
A	Initial Release	07/01/24	JB



**Replacement Diaphragm for:-**  
**OEM PART = DA032ER**  
**USED ON 1 1/4" (DN32) Diaphragm Valve**

Disclaimer - Diaphragm Direct® does not manufacture, represent, nor sell OEM valves or diaphragms manufactured by any other company. Diaphragm Direct® brand diaphragms are not sponsored by any other manufacturers. Any name, model, part number, brand, image, material or referral is for descriptive purposes only. Diaphragm Direct® brand replacement diaphragms are guaranteed to fit OEM equipment and meet or exceed OEM specifications. Diaphragm Direct® brand replacement diaphragms are covered by the standard Diaphragm Direct® limited product warranty.

	Name	Date		
Drawn	M.Mc Keon	15/06/24		
Checked				
<b>Material - EPDM</b> Complies with CFR 177.2600 and Conforms to USP Class VI Biological Reactivity Tests Section #87 and #88			TITLE <b>DD12-SE7</b>	
Size A	FOOT PRINT DIMENSIONS		Rev A	
File Name:			DD12-SE7	
SCALE: 1:1		Sheet 1 of 1		